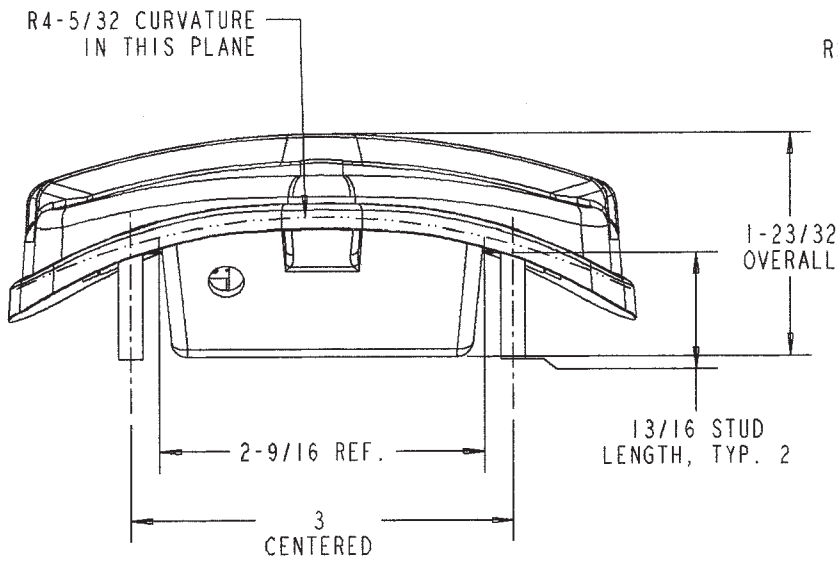
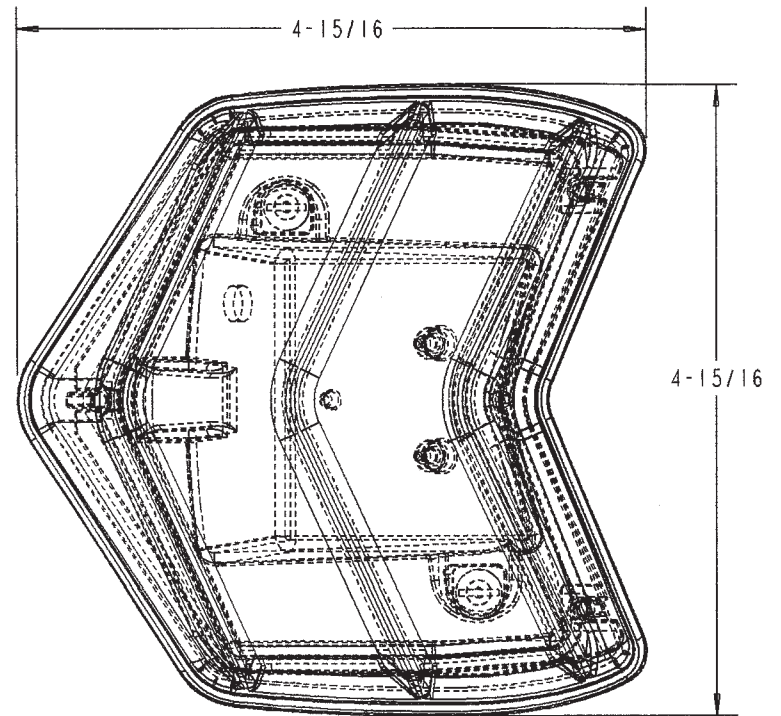
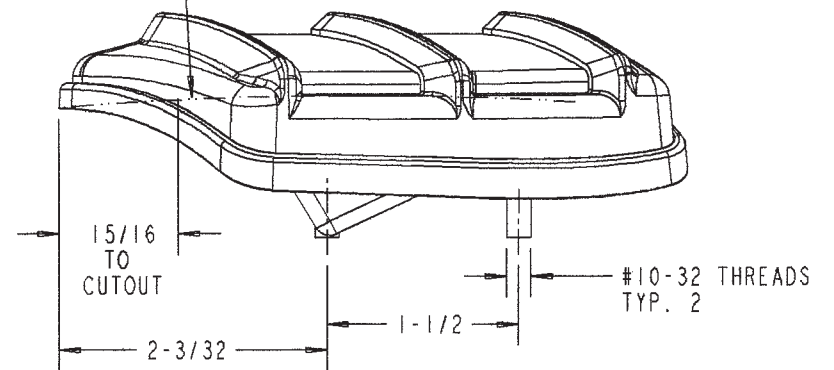


FENDER CUTOUT REQUIREMENT



R25-13/32 CURVATURE
IN THIS PLANE



40 FORD COMPLETE LIGHT
ASSEMBLY DIMENSIONS

WWW.COOL-LEDS.COM
812-265-0062
Fax: 877-682-4909

2/08/2006 REV -