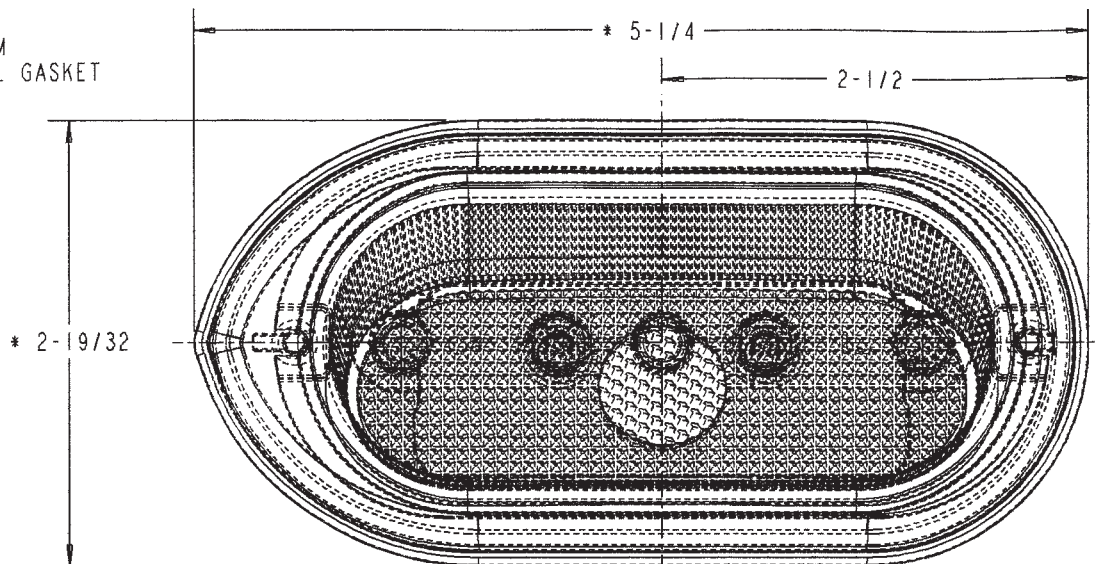
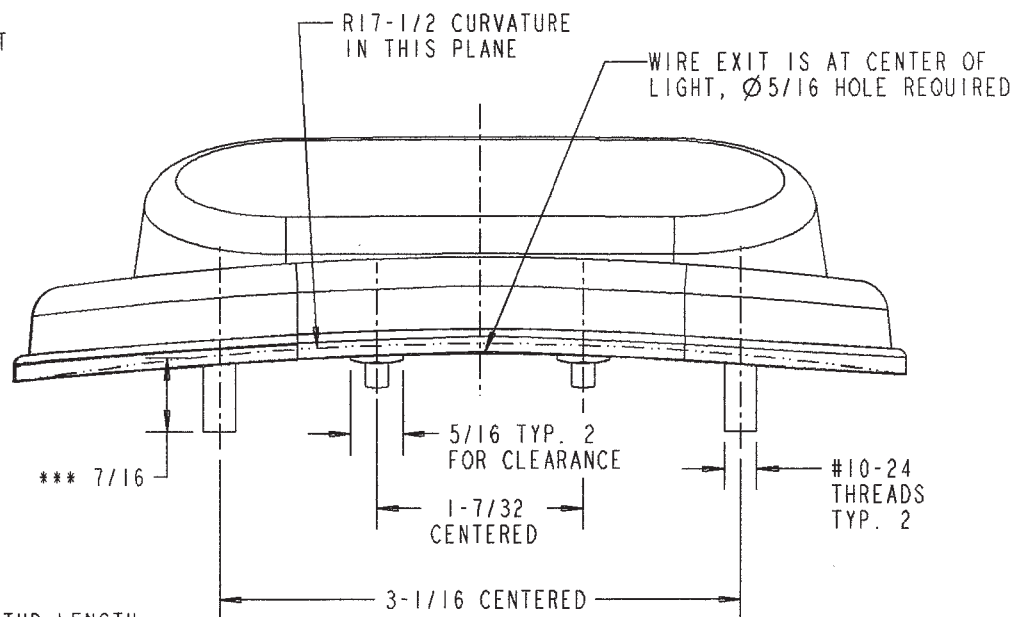
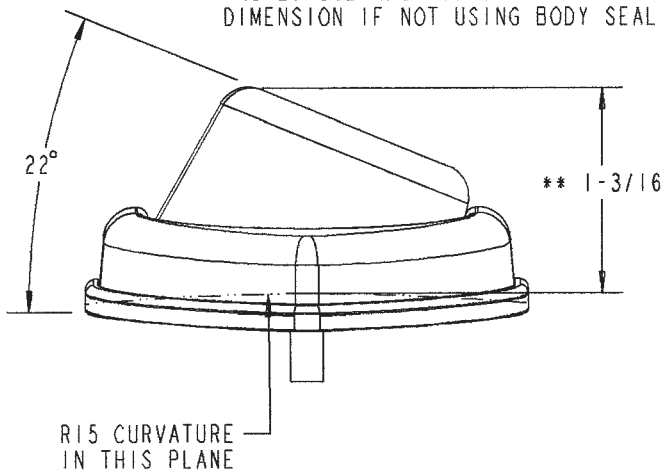


* NOTE: SUBTRACT .160" (5/32") FROM DIMENSIONS IF NOT USING BODY SEAL GASKET

NOTE:
DRIVER'S SIDE ASSEMBLY SHOWN -
LENS IS ROTATED 180° TO CREATE
PASSENGER SIDE ASSEMBLY



** NOTE: SUBTRACT .090" (3/32") FROM HEIGHT DIMENSION IF NOT USING BODY SEAL GASKET



*** NOTE: ADD .090" (3/32") TO STUD LENGTH DIMENSION IF NOT USING BODY SEAL GASKET

40 CHEVY COMPLETE LIGHT
ASSEMBLY DIMENSIONS

WWW.COOL-LEDS.COM
812-265-0062
Fax: 877-682-4909

2/08/2006 REV -

HARDWARE:

1.1 BOARD SCREWS:

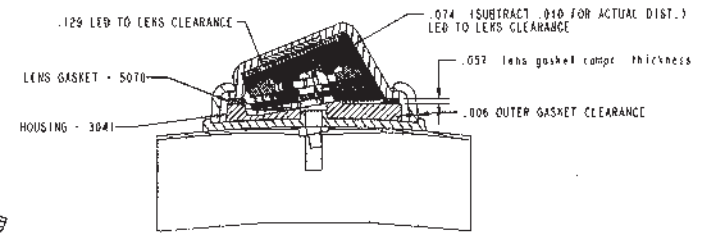
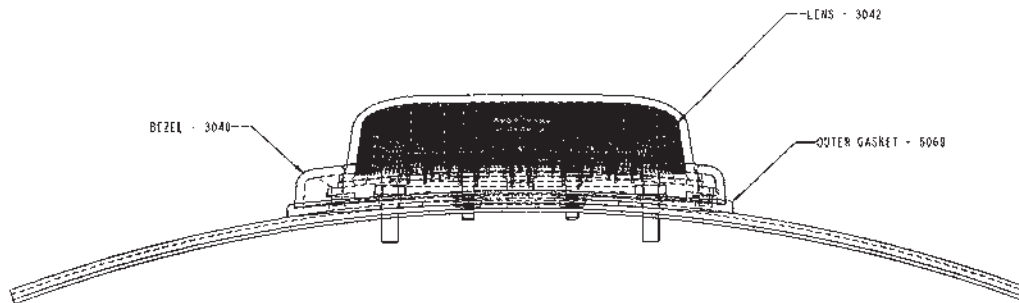
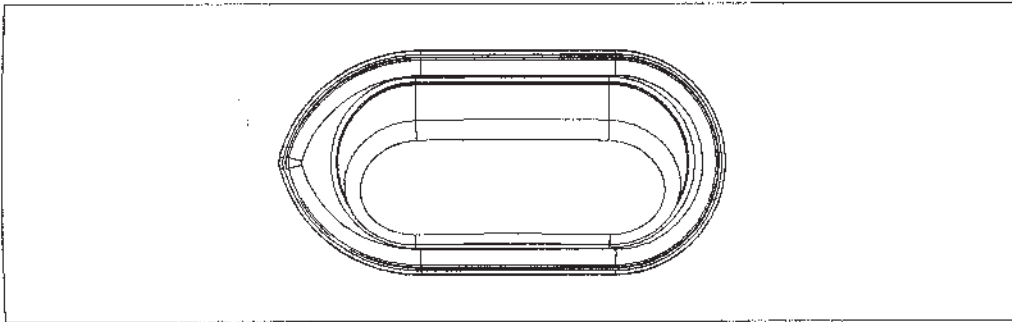
QTY = 2: #6-32 x 5/8" L6 RHWS, PLATED
QTY = 2: #6-32 NUT, PLATED

2.1 HOUSING MTG SCREW ASSEM:

QTY = 2: #10-32 x 1" L6 RHWS, PLATED
QTY = 2: #10 EXT TOOTH LOCKWASHER, PLATED
QTY = 2: #10-32 SMALL NUT, PLATED
QTY = 2: #10-32 x SERRATED FLANGED LOCKNUT, PLATED

3.1 HOUSING TO BEZEL MOUNTING:

INTERNAL TOOTH RETAINER (QTY = 2) FOR 1/8" SHAFT, .265" O.D., PLATED - WCL #8063-F2-03



SECTION A-A